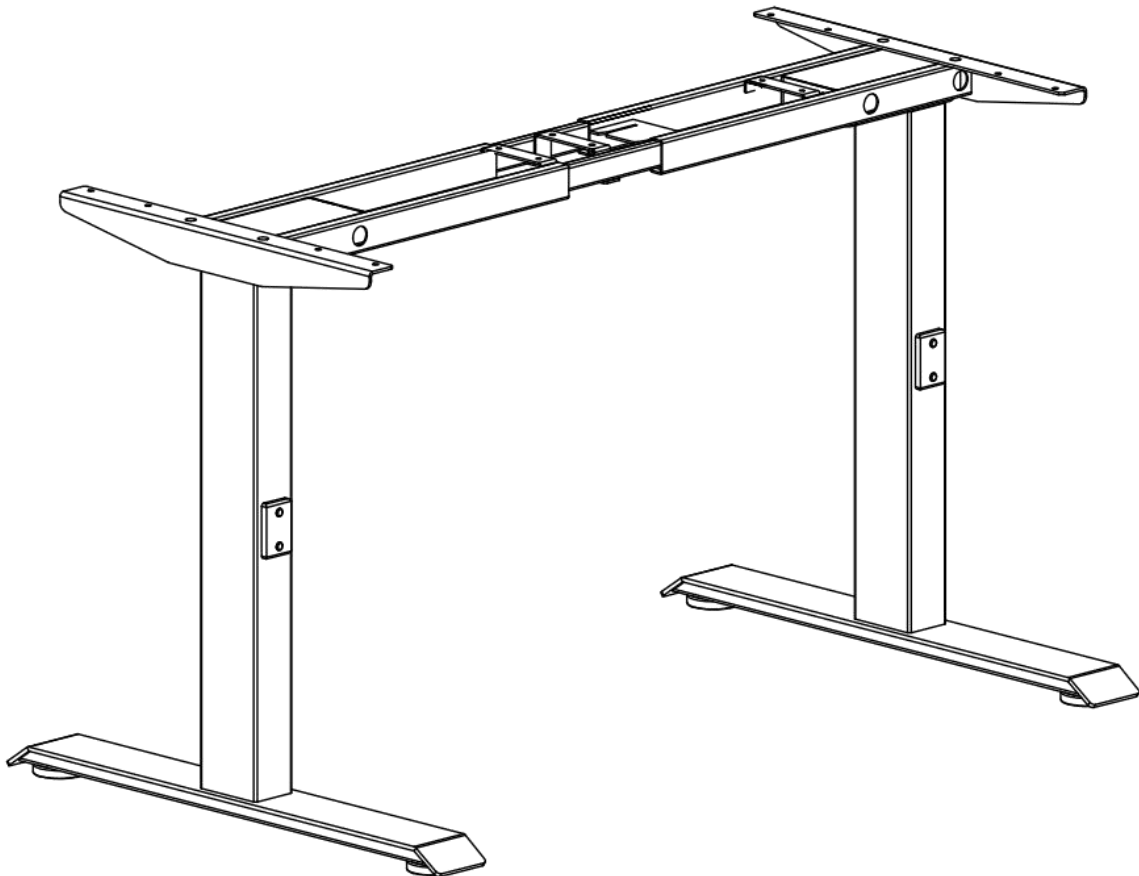


Boost Plus Single Sided Fixed Height Workstation Frame

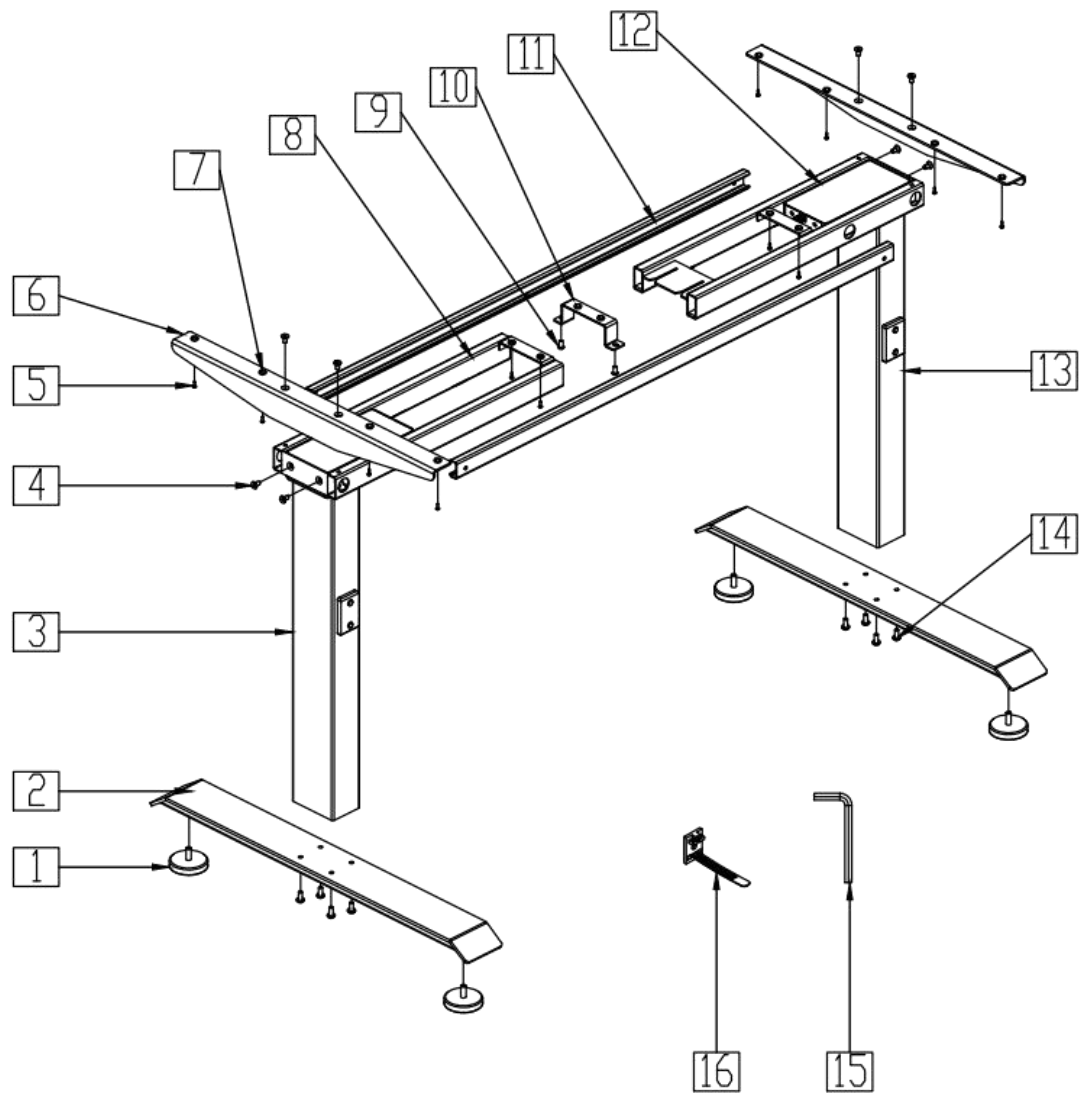
Instruction Manual

Table of Contents

Component parts	2
Assembly Instructions	3



Component parts

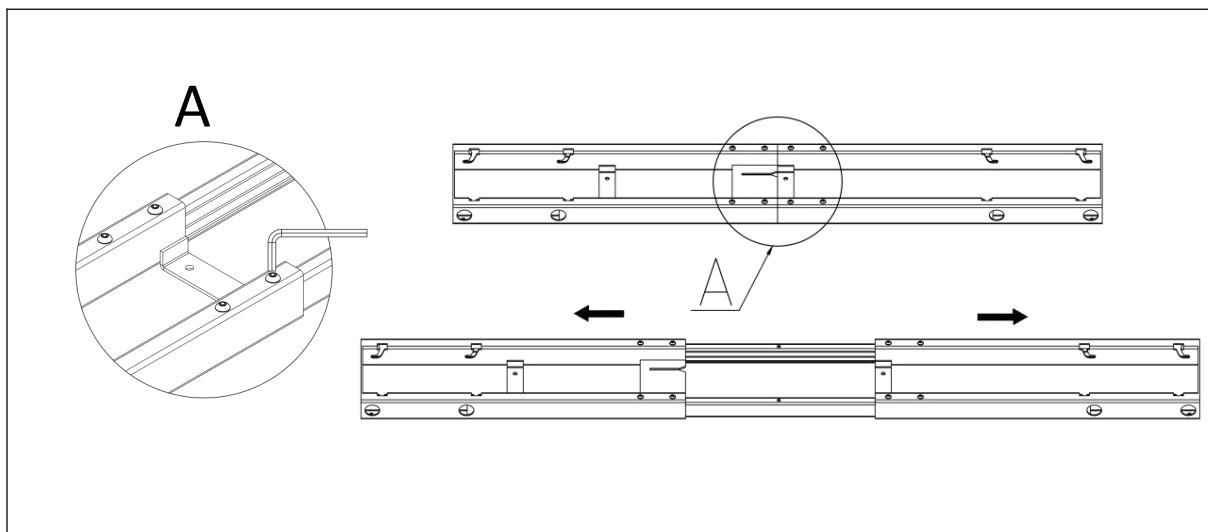


NO.	Component Name	PCS	NO.	Component Name	PCS
1	Leveling pads	4	9	Bolt: M6x10	3
2	Table feet	2	10	Centre bracket	1
3	Column(right)	1	11	Center rails	2
4	Bolt: M6x12	9	12	Top frame-2	1
5	Screw:ST4x20	22	13	Column(left)	1
6	Side brackets	2	14	Bolt: M6x16	9
7	Rubber pad	14	15	Allen Wrench(4mm)	1
8	Top frame-1	1	16	Cable Tie	5

Assembly Instructions

Step 1

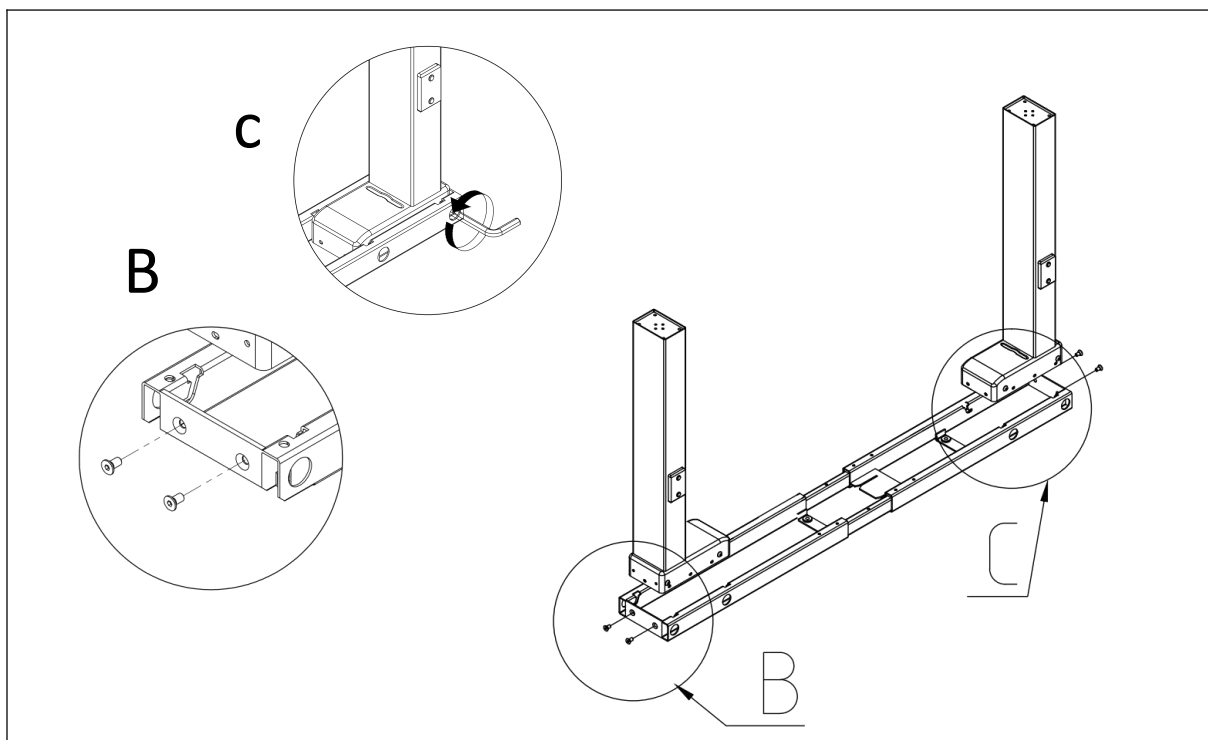
Loosen the pre-installed bolts and Adjust the length of the top frame to match the size of the table top.



Step 2

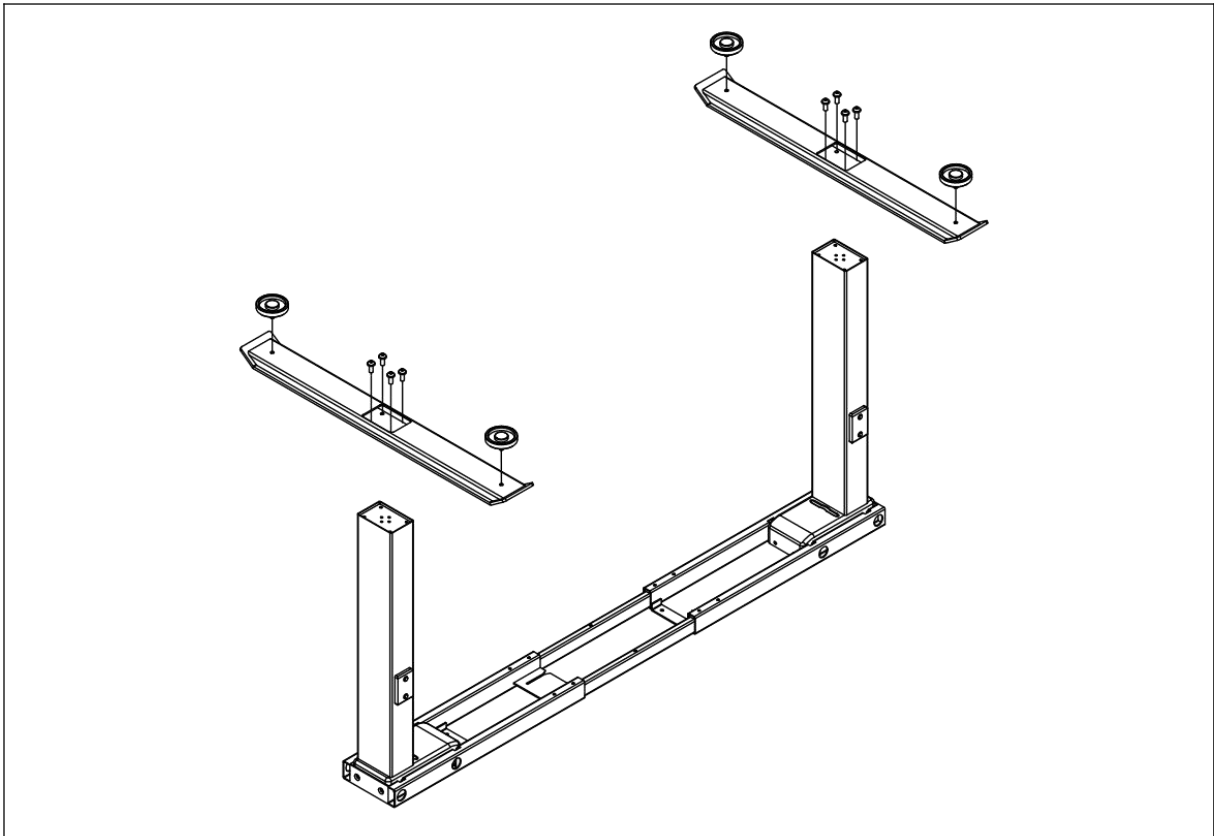
Inset the column to the top frame.

- First fix lifting column with 4 pcs screws M6x12 like **B** displayed
- And then tighten the pre-installed bolts like **C** displayed



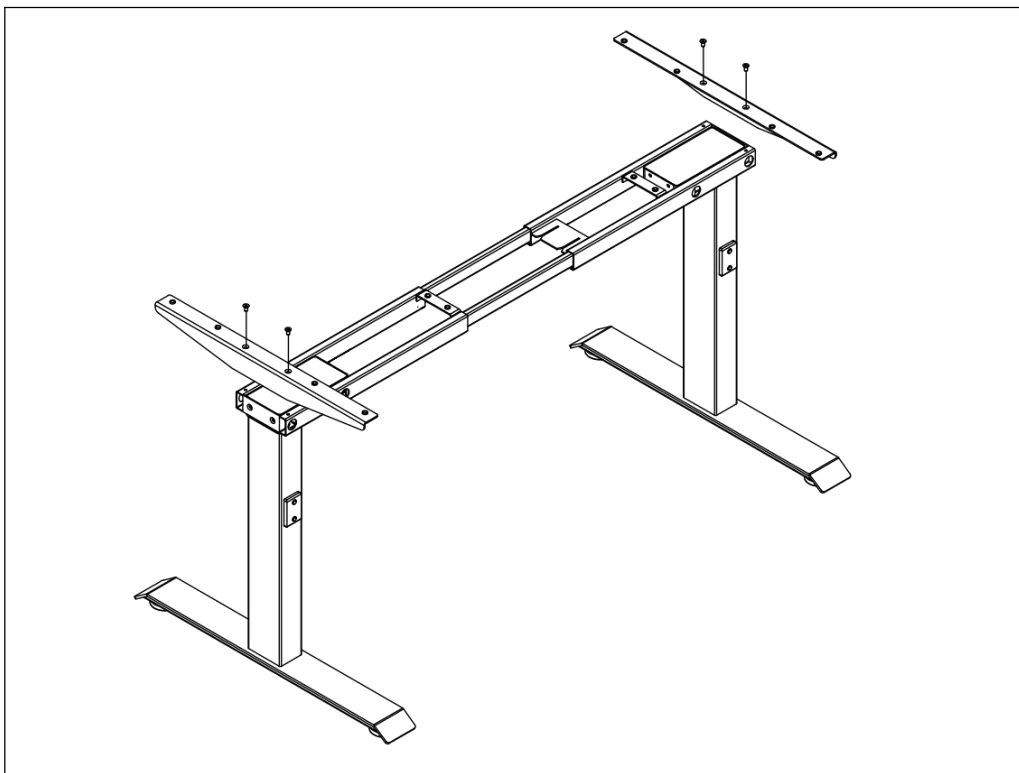
Step 3

Install the two table feet with Screws 8 pcs M6x16,
Install the 4 pcs leveling pads



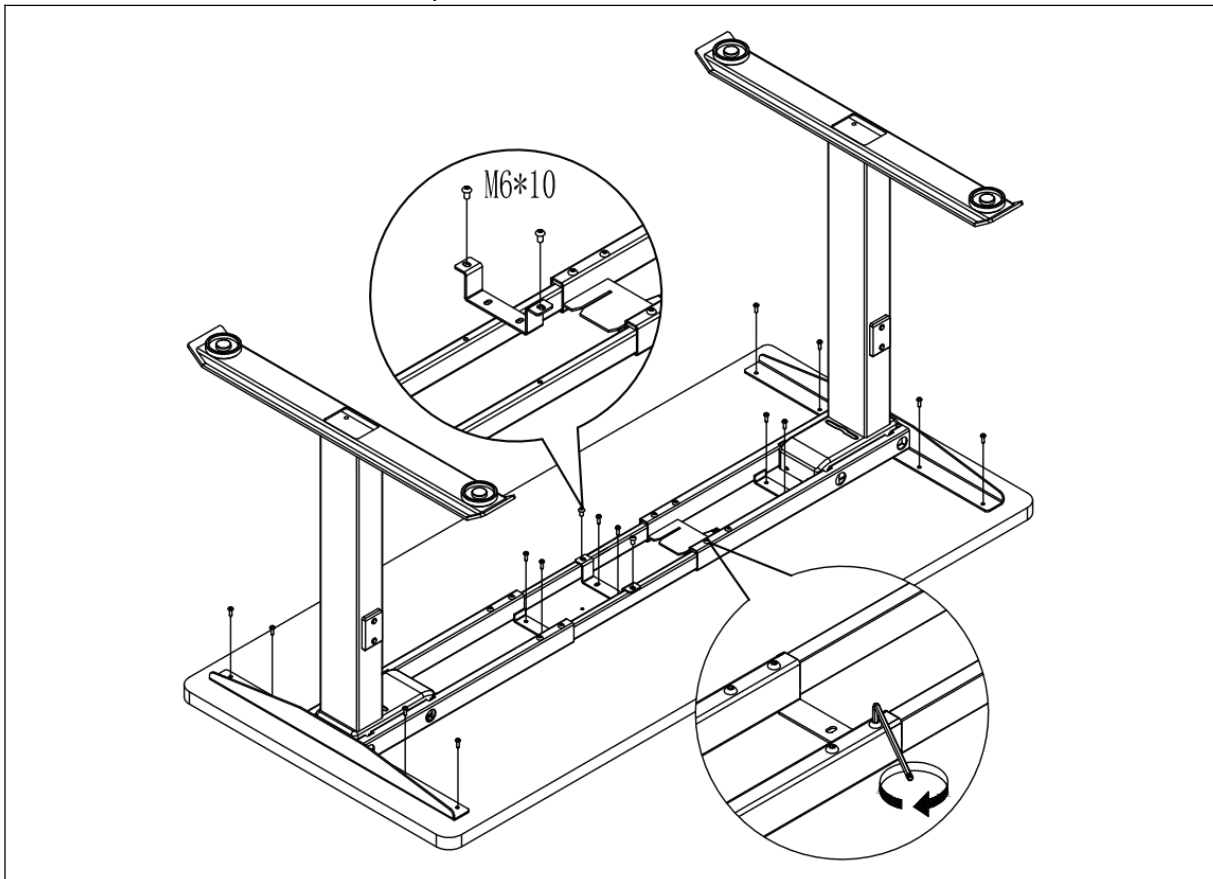
Step 4

Install the two side brackets with Screws 4 pcs M6x12,



Step 5

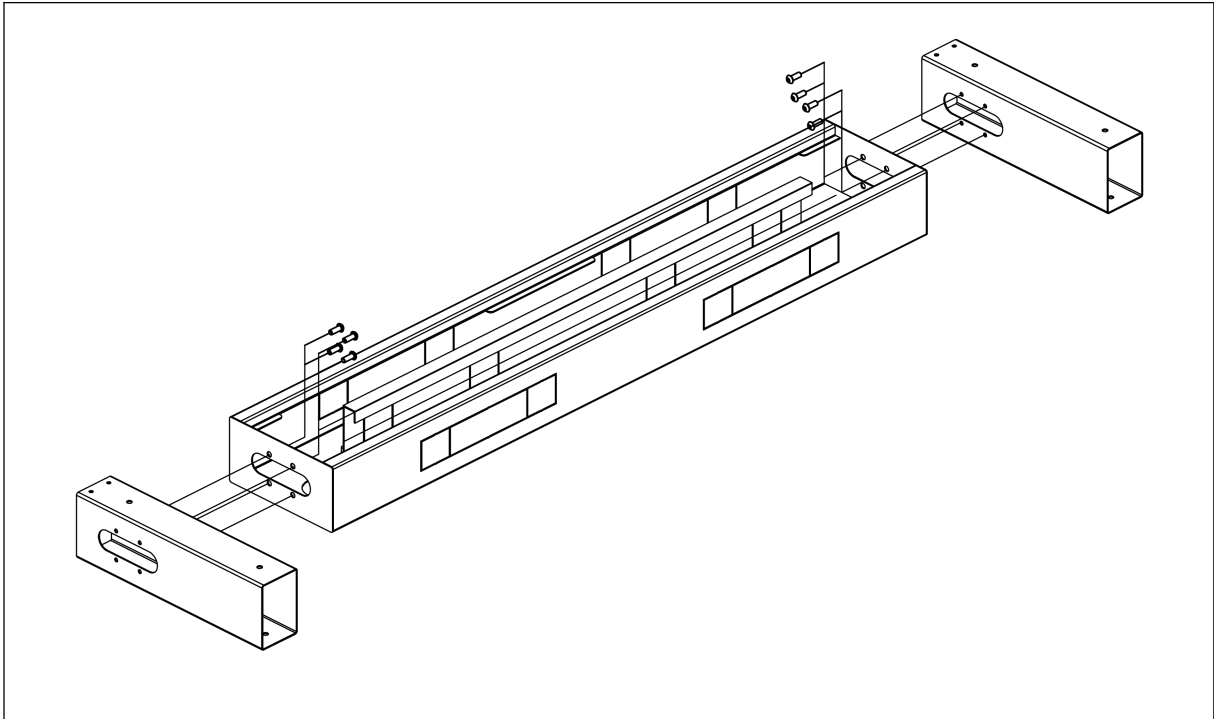
Mount the tabletop and fix it with 14 pcs screws ST4x20; Tighten the screws like D display to fix the top frame. Fix the centre bracket with 2 pcs screws M6x10



Cable tray installation

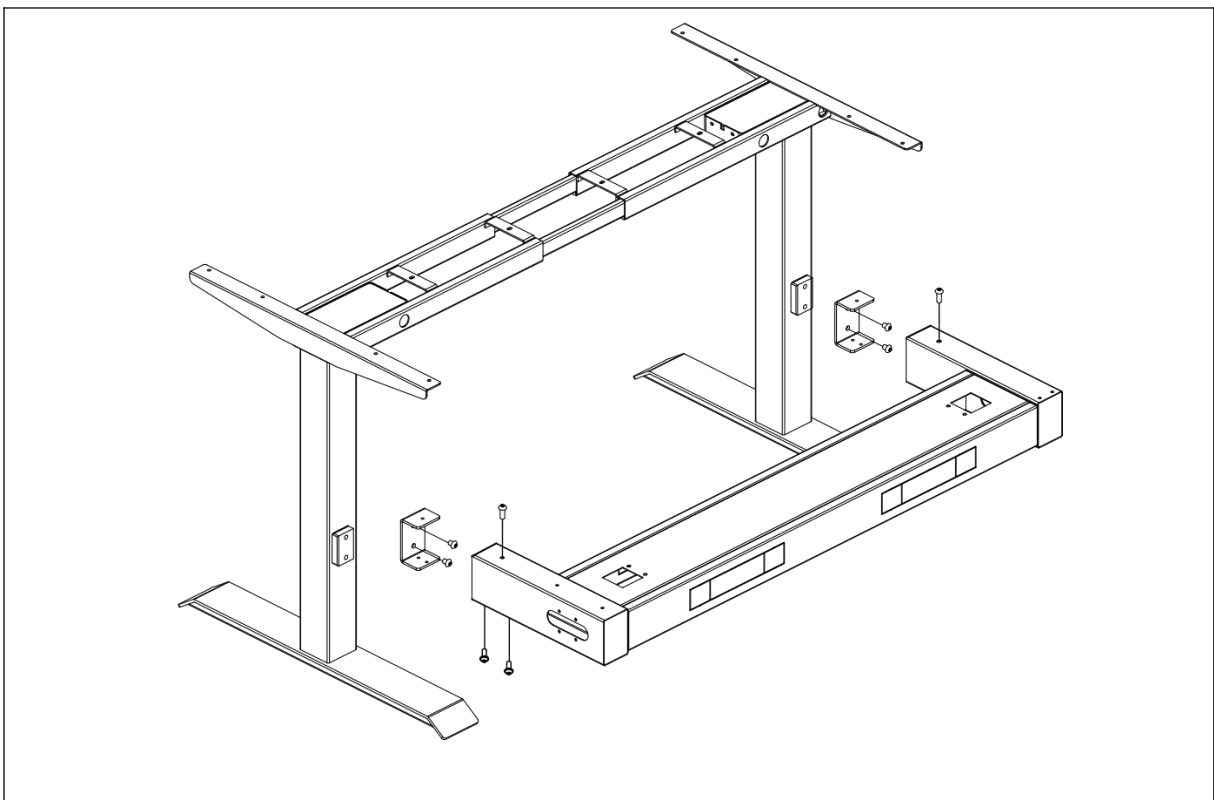
Step 1

- Fix the cable tray to the cable tray arms with 8 pcs M6x10 screws.



Step 1

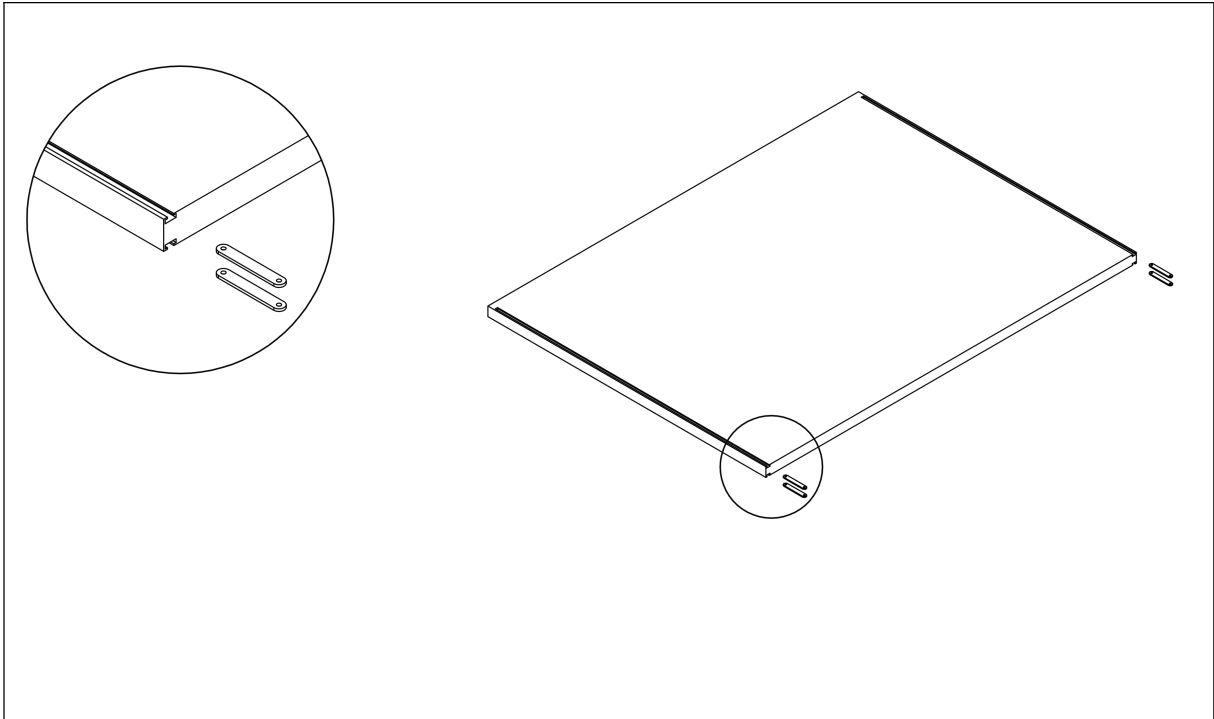
- Install the U brackets to the desk frame with 4 pcs M8x10 screws.
- Mount the cable tray to the desk frame and fix it with 6 pcs M6x10 screws



Screen panel installation

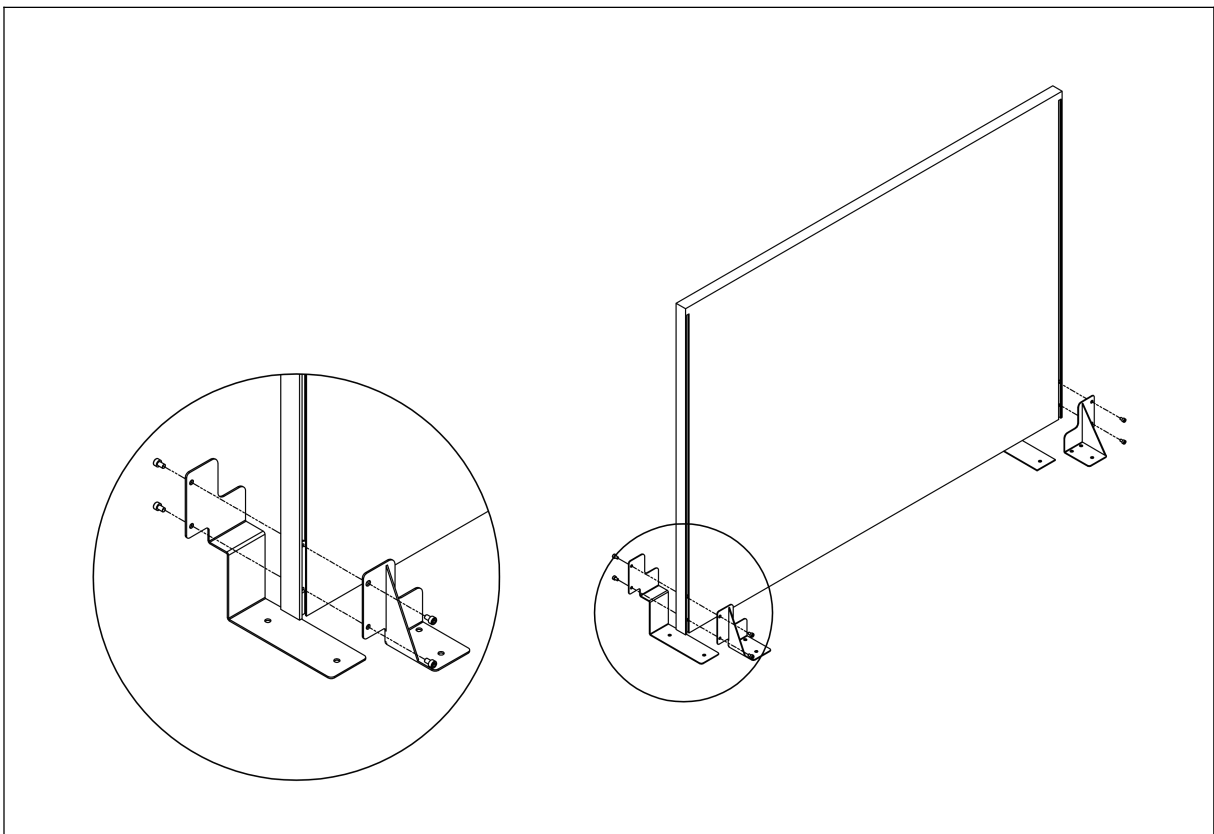
Step 1

- Insert the tapped plates to the screen panel



Step 2

- Install the brackets to the panel with 8 pcs M5x6 screws.



Step 3

- Fix the panel to the desk frame with 10 pcs M6x10 screws.

